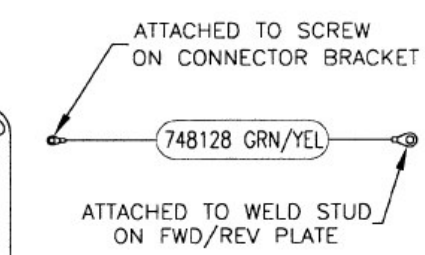
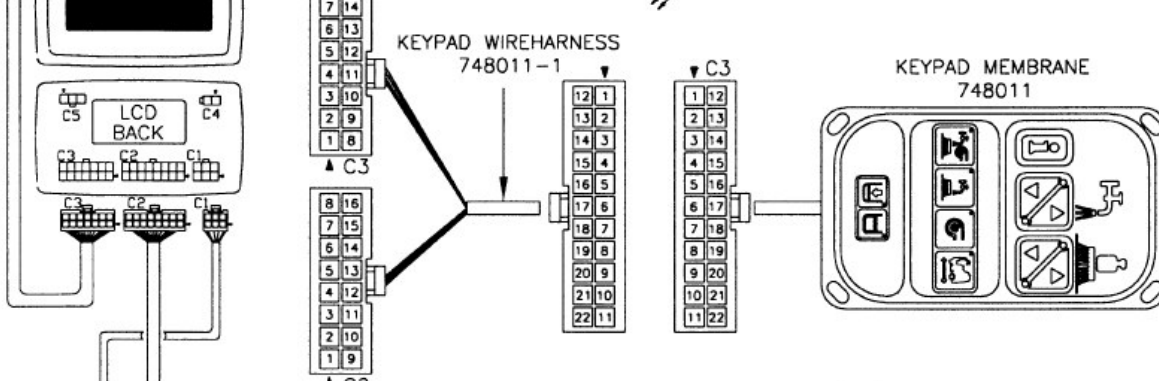
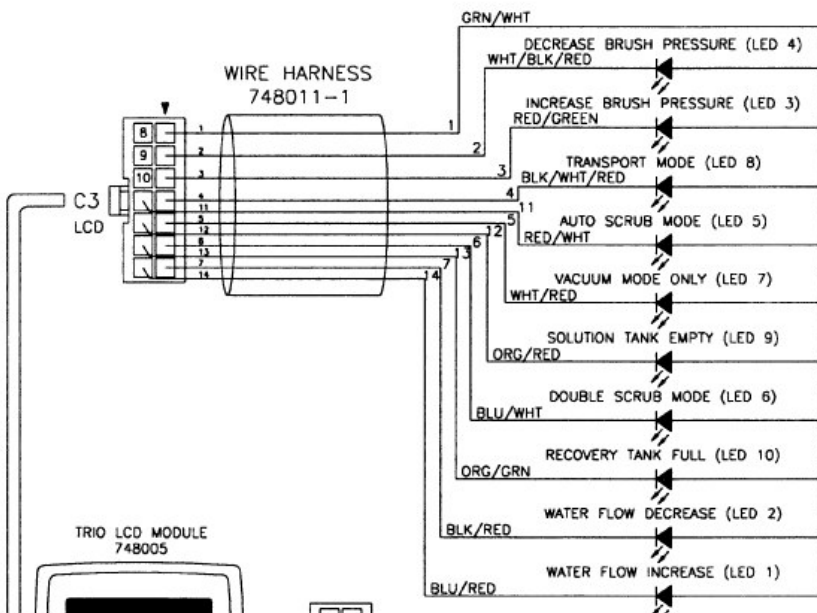


Keyboard Wiring, Model:SC28000QP USE SCV28CQP

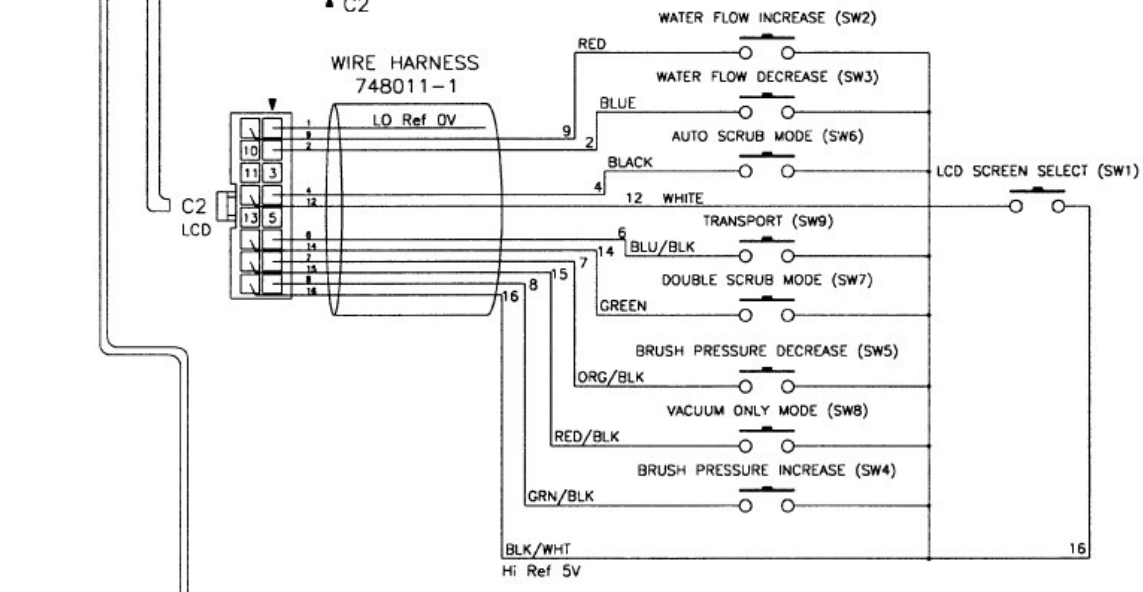
C:1 WIRE COLORS/POSITIONS

PIN #	WIRE COLOR	FUNCTION	
1	SW6	BLACK	AUTO SCRUB MODE
2	SW1	WHITE	LED SCREEN SELECT
3	SW2	RED	WATER FLOW INCREASE
4	SW7	GREEN	DOUBLE SCRUB MODE
5	SW3	BLUE	WATER FLOW DECREASE
6	GND	WHITE/BLACK	-
7	SW8	RED/BLACK	VACUUM ONLY MODE
8	SW4	GREEN/BLACK	BRUSH PRESSURE INCREASE
9	SW5	ORANGE/BLACK	BRUSH PRESSURE DECREASE
10	SW9	BLUE/BLACK	TRANSPORT MODE
11	SW COM	BLACK/WHITE	SWITCH COMMON
12	LED5	RED/WHITE	AUTO SCRUB
13	LED COM	GREEN/WHITE	COMMON ANODE
14	LED6	BLUE/WHITE	DOUBLE SCRUB
15	LED1	BLUE/RED	WATER FLOW INCREASE
16	LED9	ORANGE/RED	SOLUTION TANK EMPTY
17	LED7	WHITE/RED	VACUUM
18	LED2	BLACK/RED	WATER FLOW DECREASE
19	LED3	RED/GREEN	BRUSH PRESSURE INCREASE
20	LED10	ORANGE/GREEN	RECOVERY TANK FULL
21	LED8	BLACK/WHITE/RED	TRANSPORT MODE
22	LED4	WHITE/BLACK/RED	BRUSH PRESSURE DECREASE



C:3 WIRE COLORS/POSITIONS

PIN #	WIRE COLOR	
1	LED COM	GREEN/WHITE
2	LED 4	WHT/BLK/RED
3	LED 3	RED/GREEN
4	LED 8	BLK/WHT/RED
5	LED 7	WHITE/RED
6	LED 6	BLUE/WHITE
7	LED 2	BLACK/RED
8	-	N.C.
9	-	N.C.
10	-	N.C.
11	LED 5	RED/WHITE
12	LED 9	ORANGE/RED
13	LED 10	ORANGE/GREEN
14	LED 1	BLUE/RED



C:2 WIRE COLORS/POSITIONS

PIN #	WIRE COLOR	
1	-	N.C.
2	SW3	BLUE
3	-	N.C.
4	SW6	BLACK
5	-	N.C.
6	SW9	BLUE/BLACK
7	SW5	ORANGE/BLACK
8	SW4	GREEN/BLACK
9	SW2	RED
10	-	N.C.
11	-	N.C.
12	SW1	WHITE
13	-	N.C.
14	SW7	GREEN
15	SW8	RED/BLACK
16	SW COM	BLACK/WHITE

